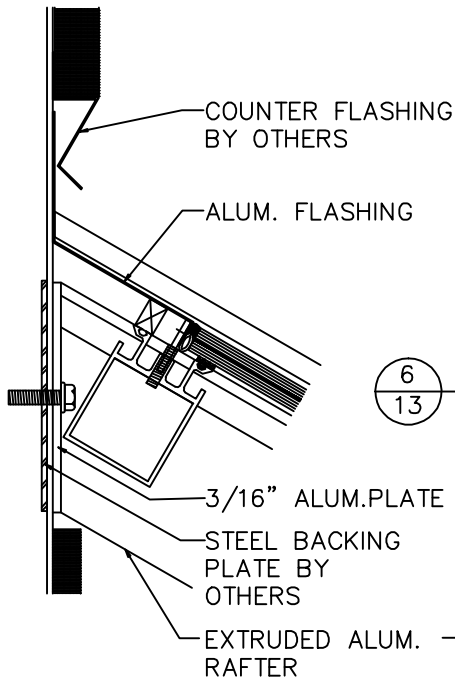
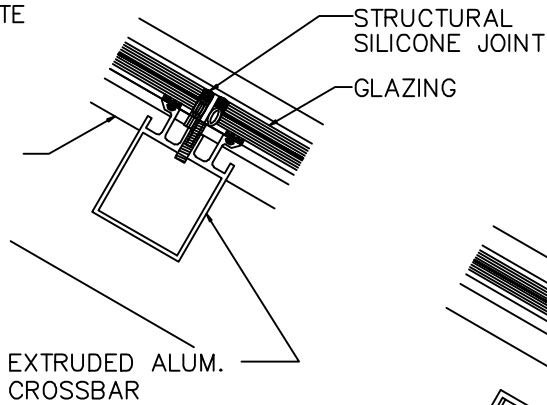
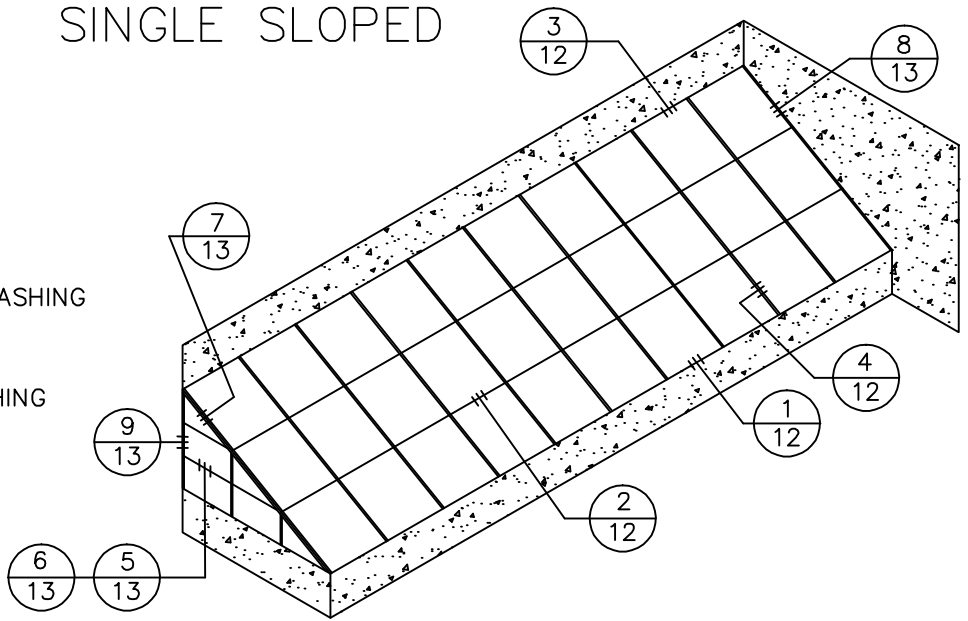


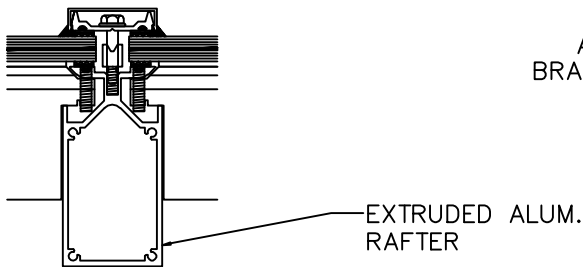
# SINGLE SLOPED



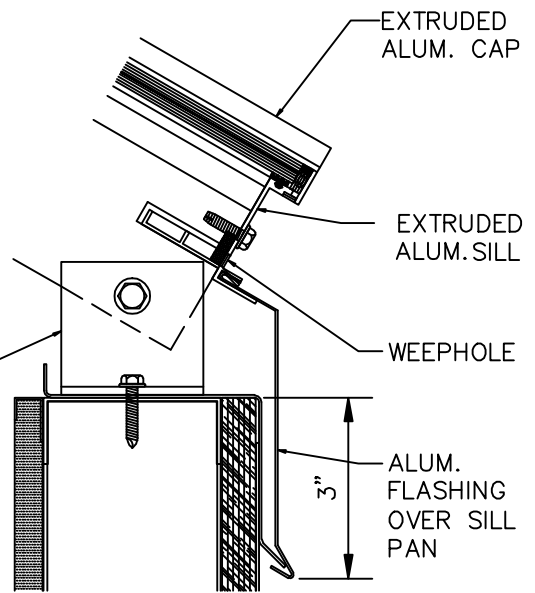
HEAD DETAIL  
SCALE: 3"=1'-0"  
3



CROSSBAR DETAIL  
SCALE: 3"=1'-0"  
2



TYP RAFTER  
SCALE: 3"=1'-0"  
4



SILL DETAIL  
SCALE: 3"=1'-0"  
1



1715 W. 135th STREET  
GARDENA, CA. 90249  
PHONE: (310) 354-0030  
FAX: (310) 523-5803

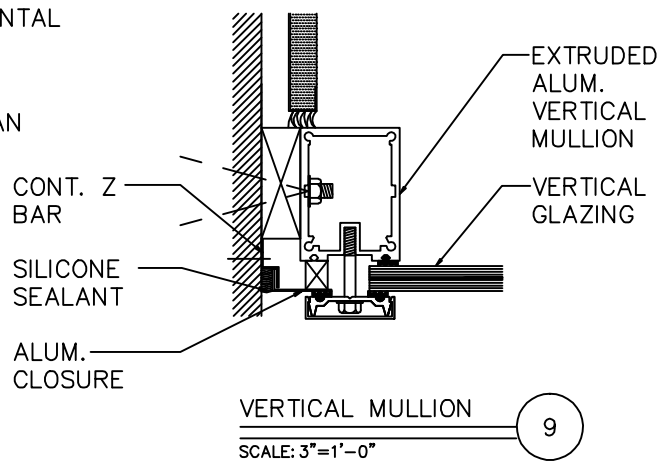
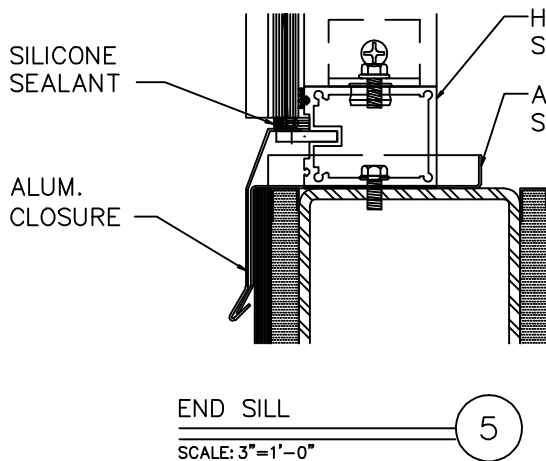
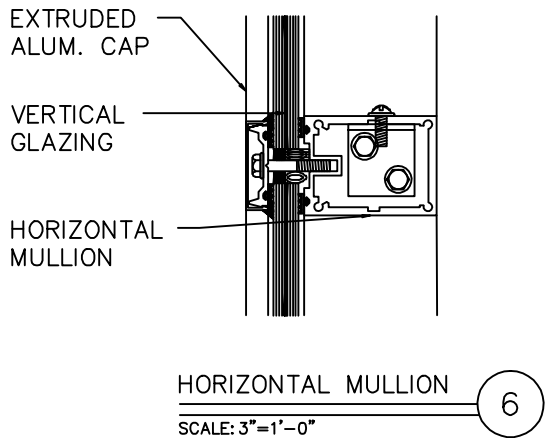
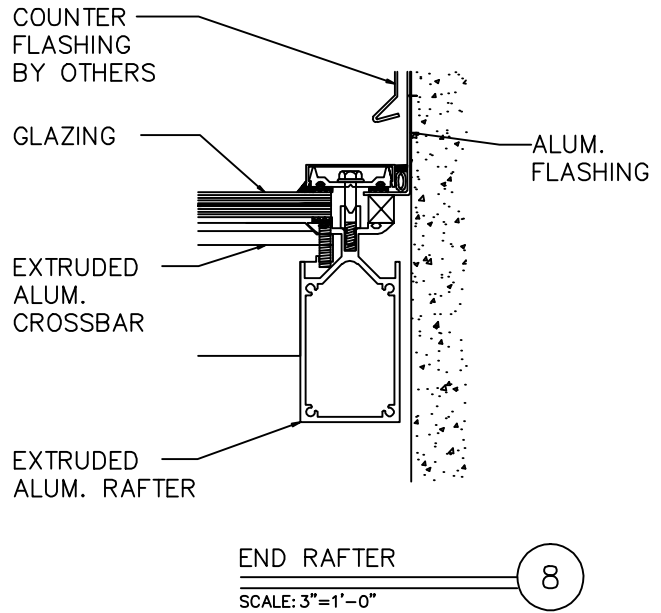
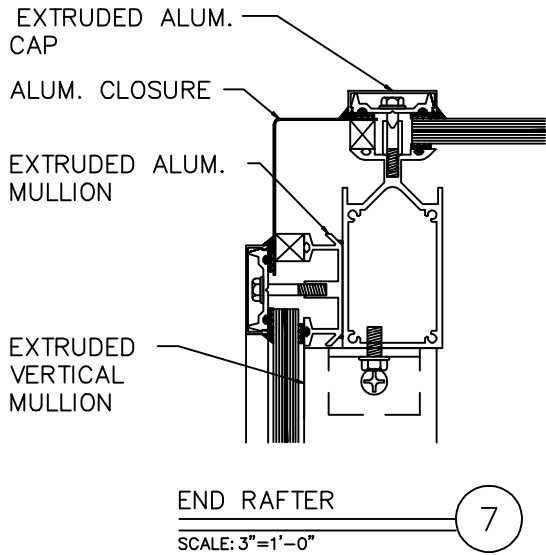
SKYLIGHT TYPE:  
SINGLE SLOPED

SHEET NO:

12

DATE:

JUN 2004



1715 W. 135th STREET  
GARDENA, CA. 90249  
PHONE: (310) 354-0030  
FAX: (310) 523-5803

SKYLIGHT TYPE:  
SINGLE SLOPED

SHEET NO:

13

DATE:

JUN 2004