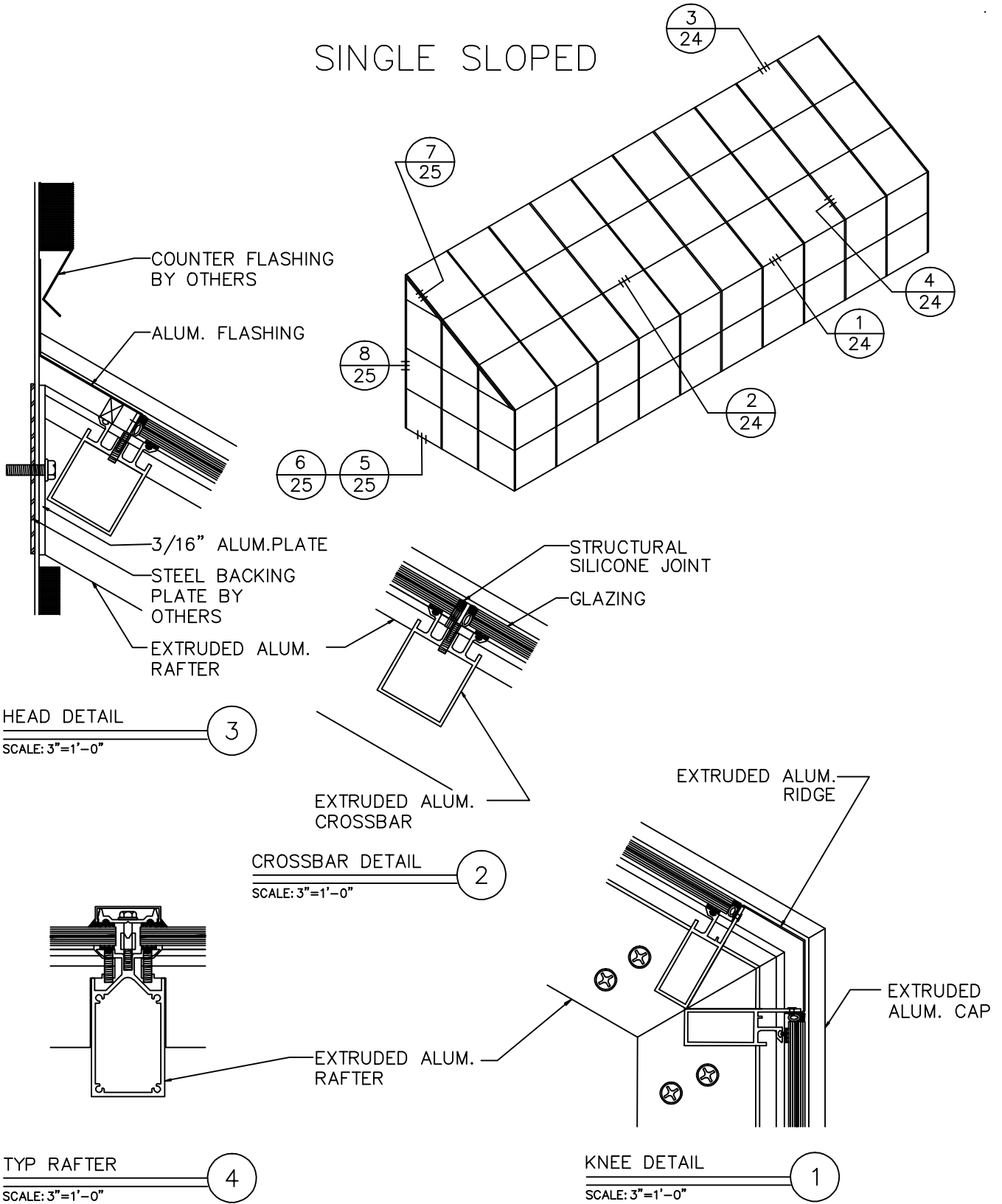


# SINGLE SLOPED

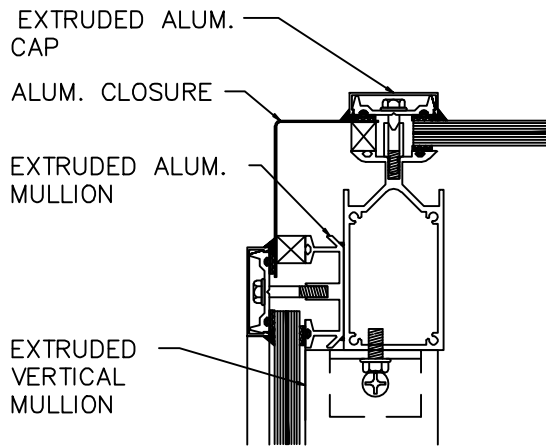


1715 W. 135th STREET  
 GARDENA, CA. 90249  
 PHONE: (310) 354-0030  
 FAX: (310) 523-5803

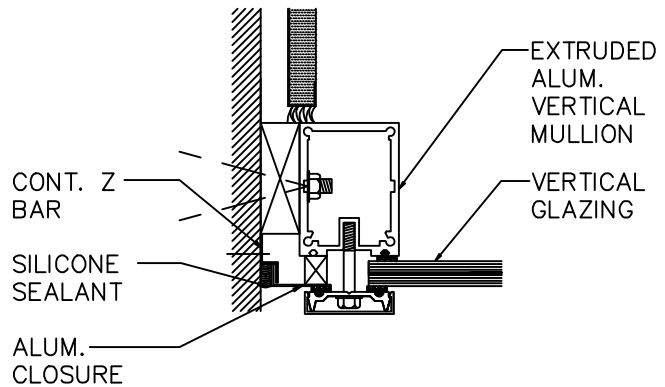
SKYLIGHT TYPE:  
 SINGLE SLOPED W/ KNEE WALL

SHEET NO:  
 24

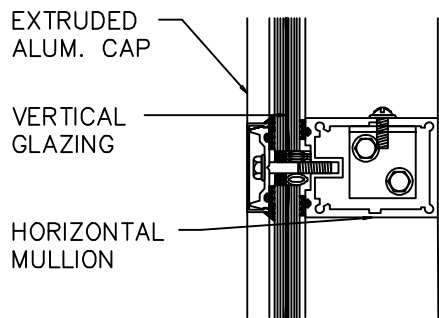
DATE:  
 APRIL 2009



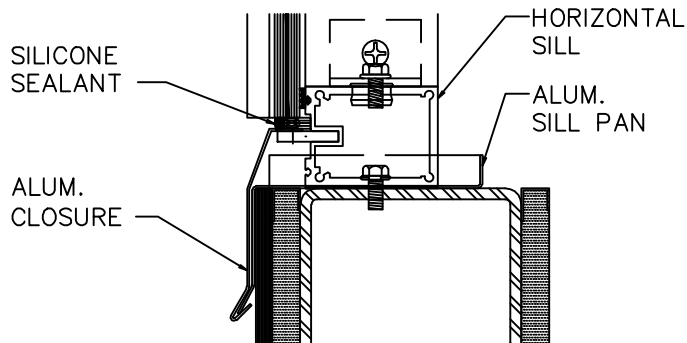
END RAFTER  
SCALE: 3"=1'-0" (7)



VERTICAL MULLION  
SCALE: 3"=1'-0" (8)



HORIZONTAL MULLION  
SCALE: 3"=1'-0" (6)



END SILL  
SCALE: 3"=1'-0" (5)



1715 W. 135th STREET  
GARDENA, CA. 90249  
PHONE: (310) 354-0030  
FAX: (310) 523-5803

SKYLIGHT TYPE:  
SINGLE SLOPED W/ KNEE WALL

SHEET NO:  
25

DATE:  
APRIL 2009