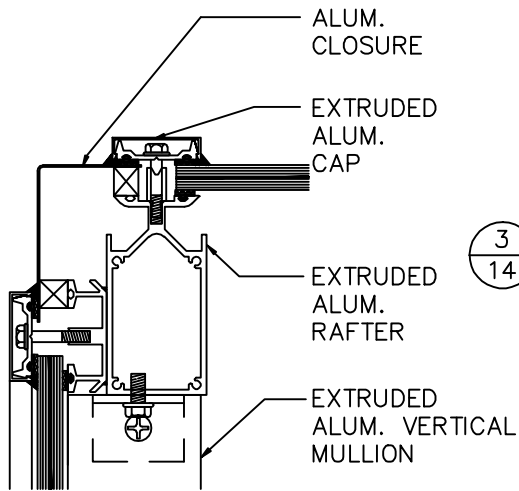
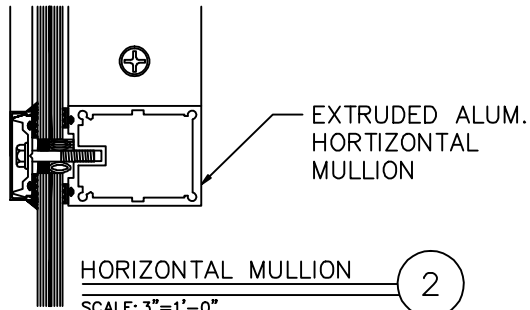
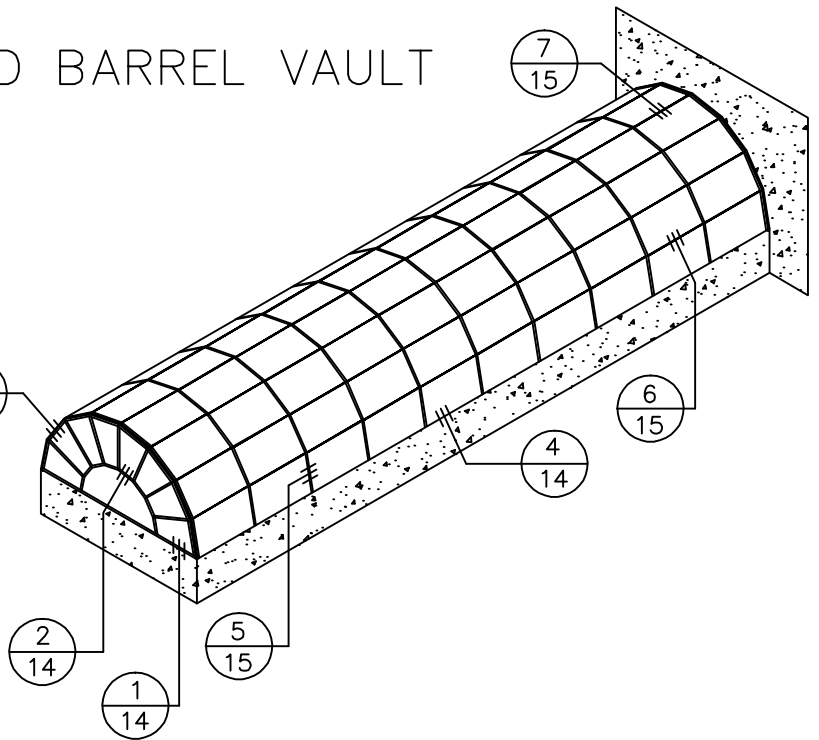


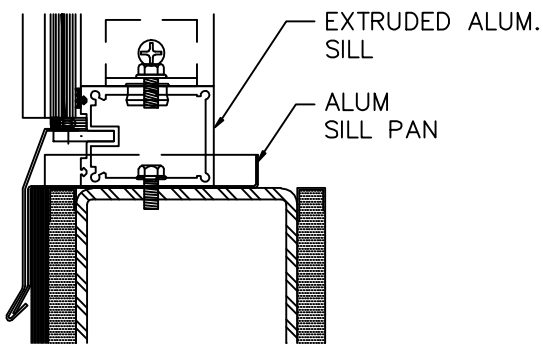
# SEGMENTED BARREL VAULT



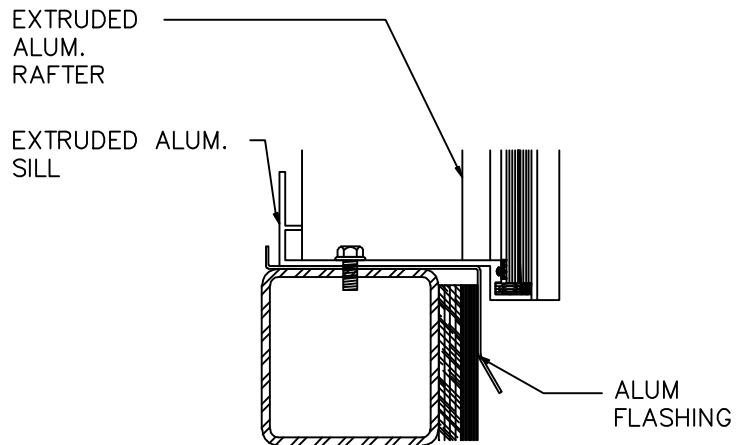
END RAFTER  
SCALE: 3"=1'-0" (3)



HORIZONTAL MULLION  
SCALE: 3"=1'-0" (2)



SILL DETAIL  
SCALE: 3"=1'-0" (1)



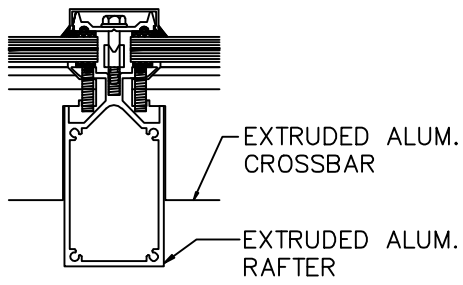
SILL DETAIL  
SCALE: 3"=1'-0" (4)



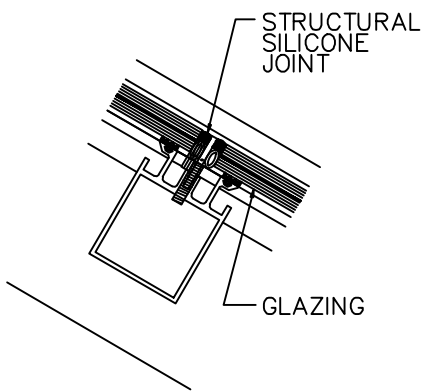
1715 W. 135th STREET  
GARDENA, CA. 90249  
PHONE: (310) 354-0030  
FAX: (310) 523-5803

SKYLIGHT TYPE:  
SEGMENTED BARREL VAULT

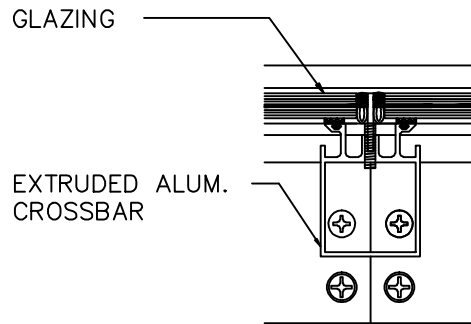
SHEET NO:  
14  
DATE:  
JUN 2004



TYPICAL RAFTER (5)  
SCALE: 3"=1'-0"



CROSSBAR DETAIL (6)  
SCALE: 3"=1'-0"



RIDGE DETAIL (7)  
SCALE: 3"=1'-0"



1715 W. 135th STREET  
GARDENA, CA. 90249  
PHONE: (310) 354-0030  
FAX: (310) 523-5803

SKYLIGHT TYPE:  
SEGMENTED BARREL VAULT

SHEET NO:  
15  
DATE:  
JUN 2004