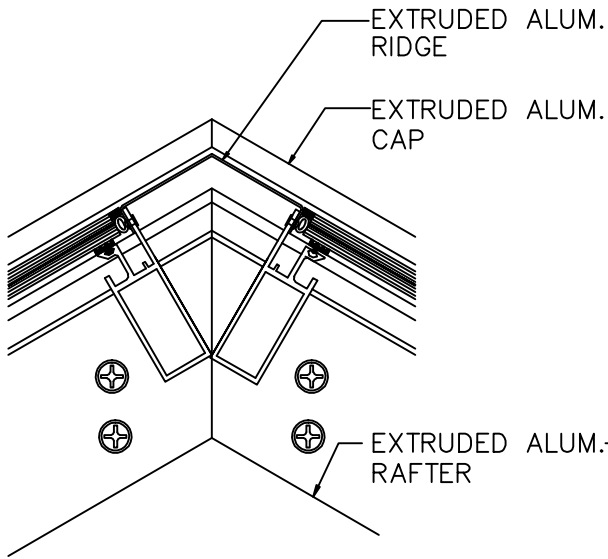


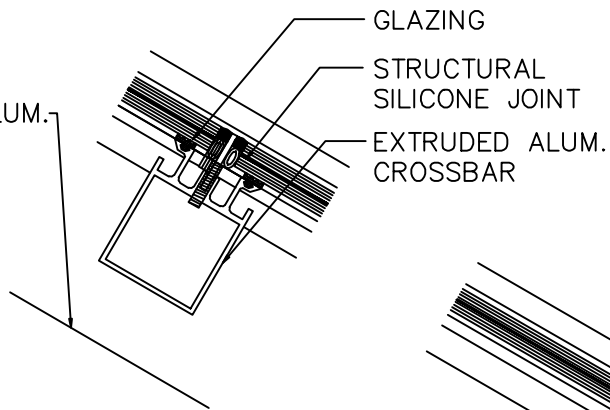
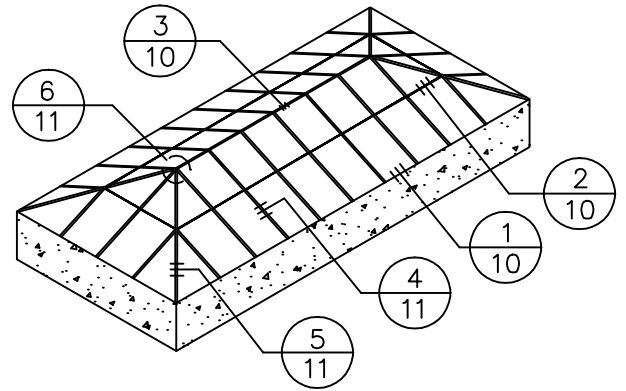
RIDGE W/HIP ENDS



RIDGE DETAIL

SCALE: 3"=1'-0"

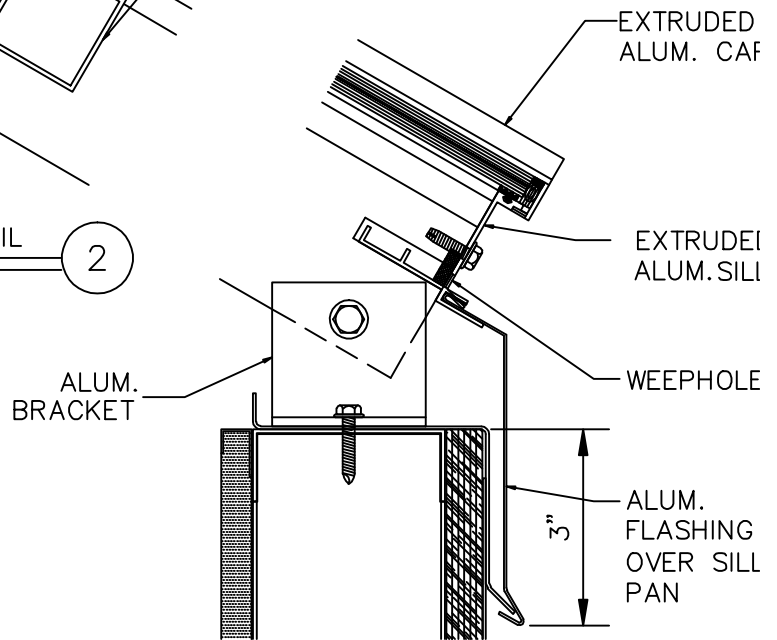
3



CROSSBAR DETAIL

SCALE: 3"=1'-0"

2



SILL DETAIL

SCALE: 3"=1'-0"

1



1715 W. 135th STREET
GARDENA, CA. 90249
PHONE: (310) 354-0030
FAX: (310) 523-5803

SKYLIGHT TYPE:

RIDGE W/ HIP ENDS

SHEET NO:

10

DATE:

JUN 2004