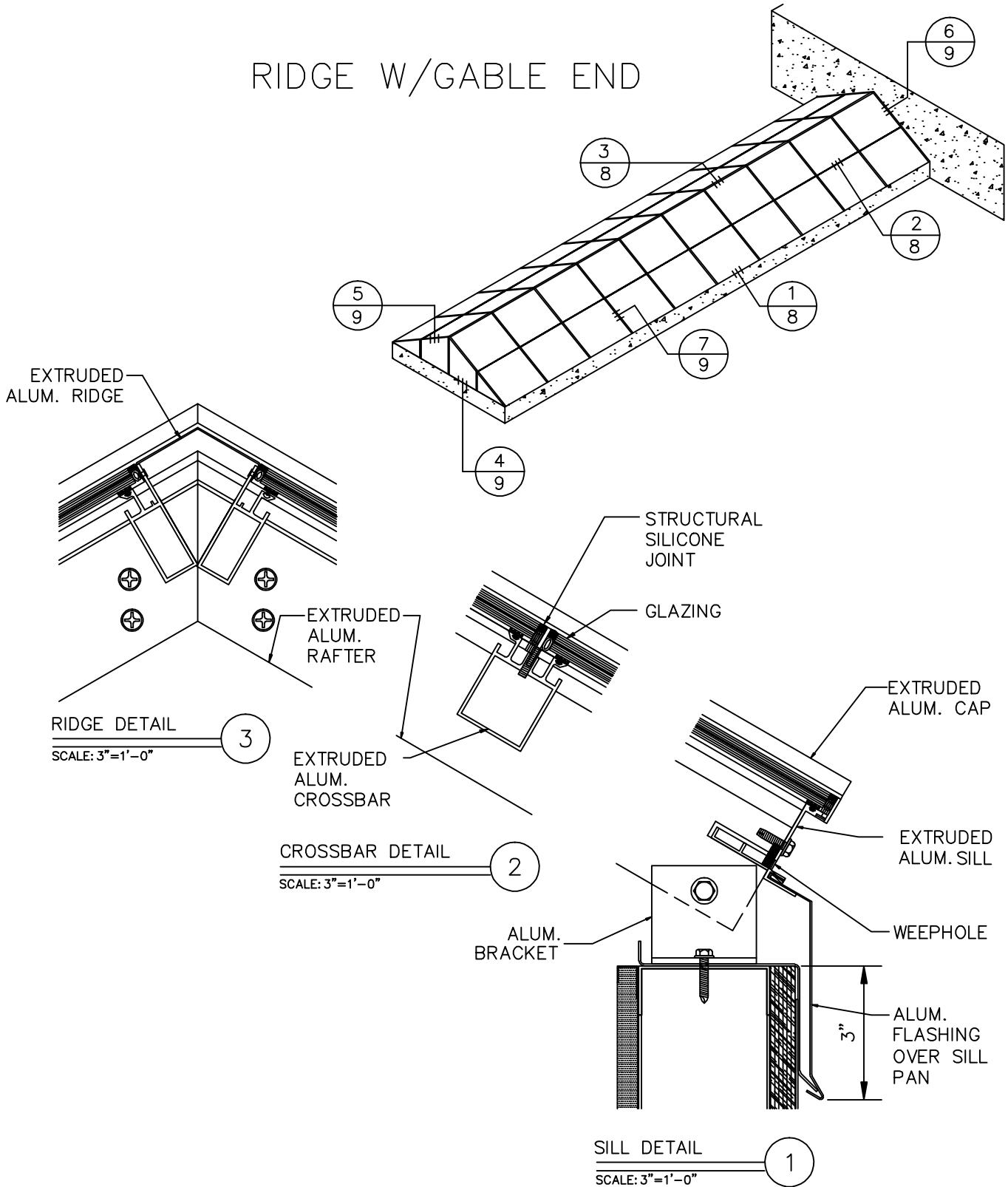


RIDGE W/GABLE END

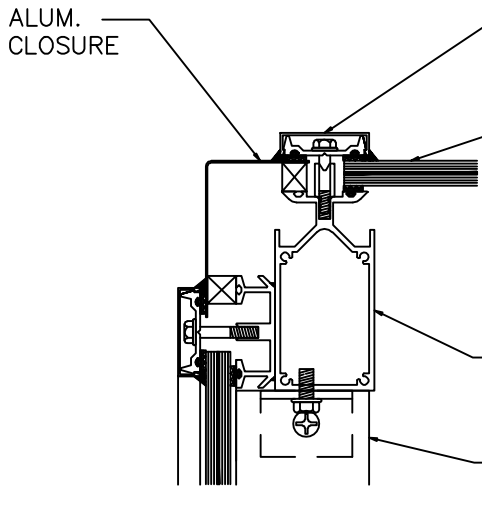


1715 W. 135th STREET
 GARDENA, CA. 90249
 PHONE: (310) 354-0030
 FAX: (310) 523-5803

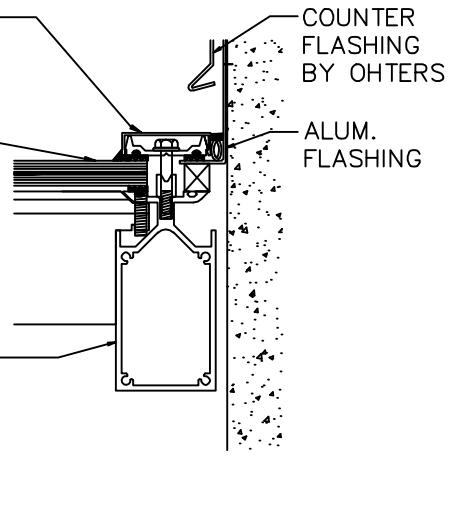
SKYLIGHT TYPE:
 RIDGE W/ GABLE END

SHEET NO:
 8

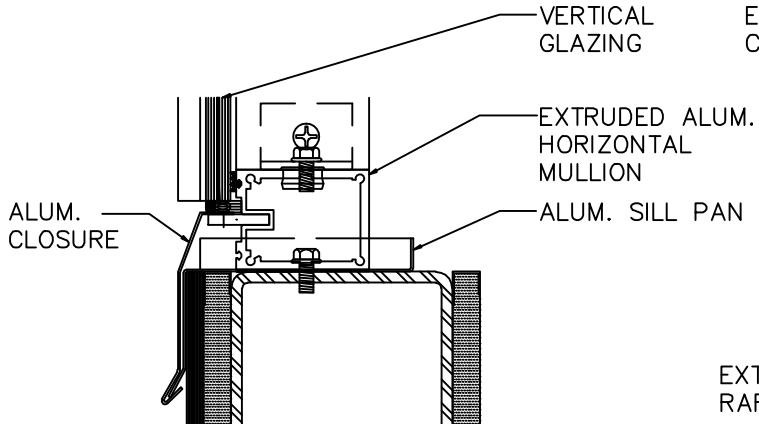
DATE:
 JUN 2004



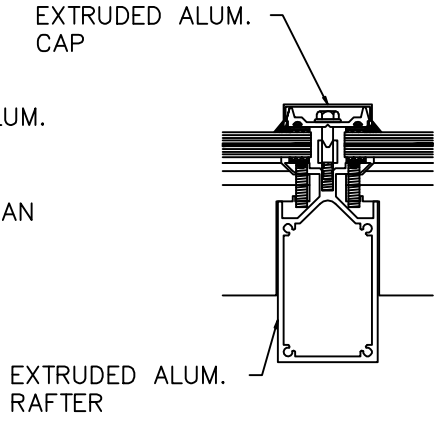
END RAFTER 5
SCALE: 3"=1'-0"



END RAFTER 6
SCALE: 3"=1'-0"



SILL DETAIL 4
SCALE: 3"=1'-0"



TYPICAL RAFTER 7
SCALE: 3"=1'-0"



1715 W. 135th STREET
GARDENA, CA. 90249
PHONE: (310) 354-0030
FAX: (310) 523-5803

SKYLIGHT TYPE:
RIDGE W/ GABLE END

SHEET NO:
9
DATE:
JUN 2004