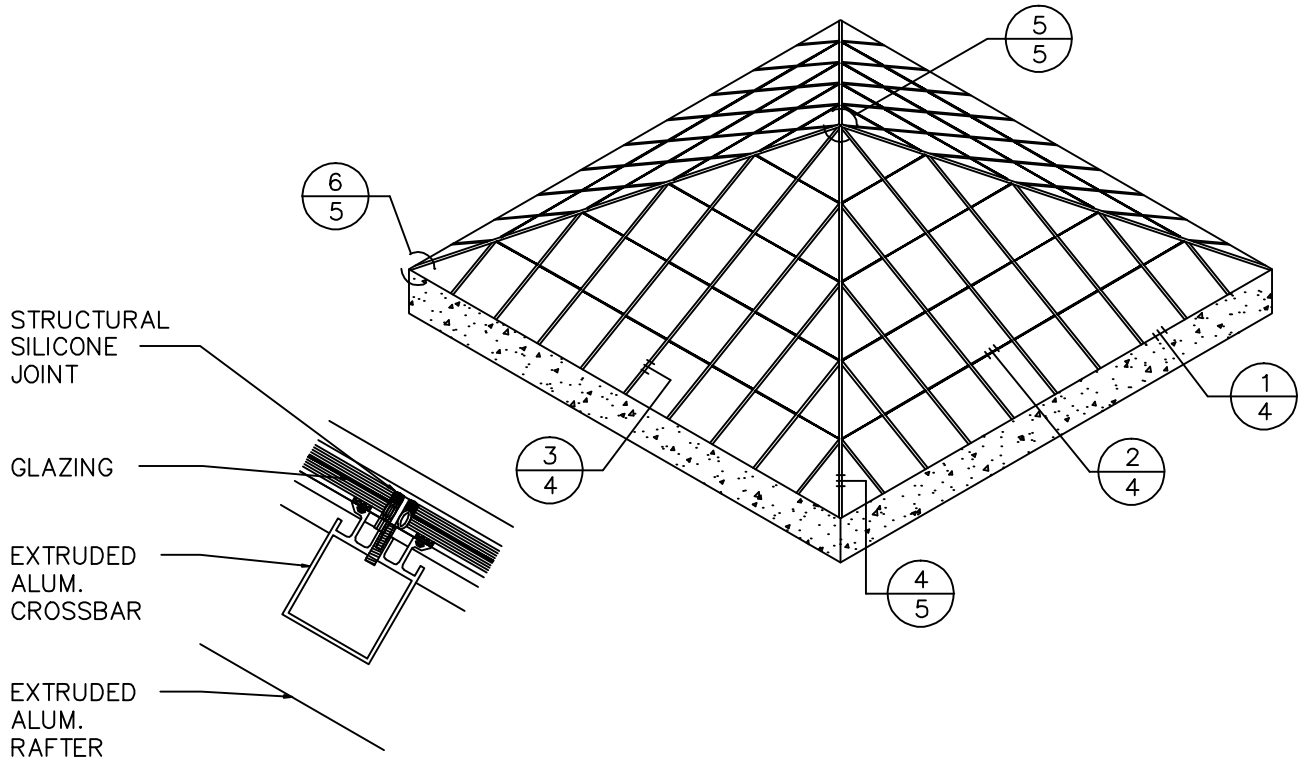
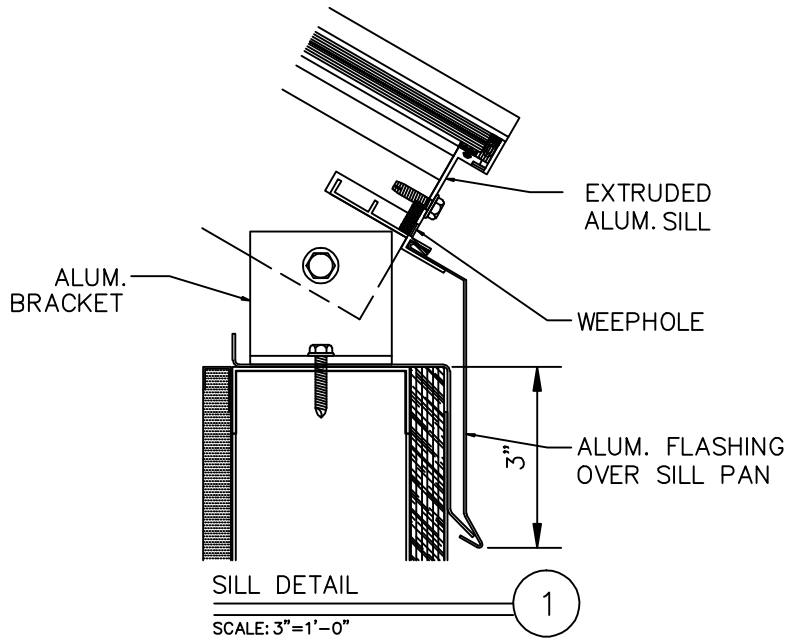
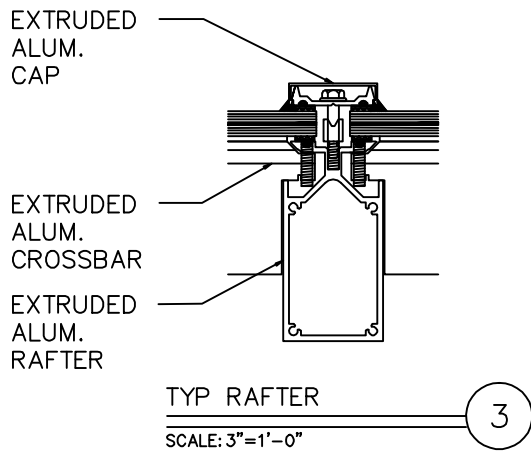


PYRAMID



CROSSBAR DETAIL 2
SCALE: 3"=1'-0"



1715 W. 135th STREET
GARDENA, CA. 90249
PHONE: (310) 354-0030
FAX: (310) 523-5803

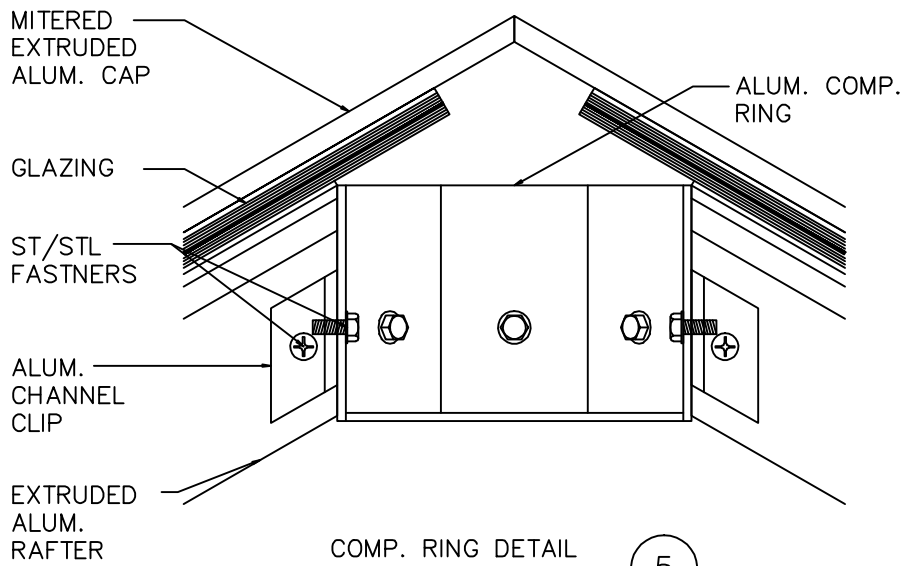
SKYLIGHT TYPE:
PYRAMID

SHEET NO:

4

DATE:

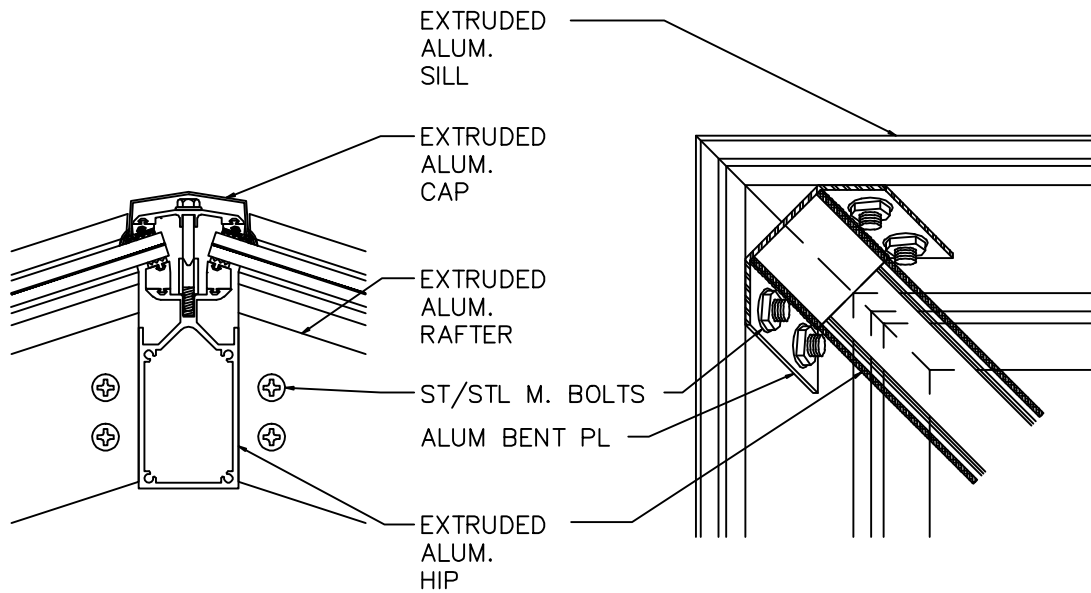
JUN 2004



COMP. RING DETAIL

5

SCALE: 3"=1'-0"



HIP DETAIL

4

SCALE: 3"=1'-0"

HIP PLAN @ CORNER

6

SCALE: 3"=1'-0"

NOTE: GLASS AND EXTRUDED CAP NOT SHOWN FOR CLARITY



1715 W. 135th STREET
 GARDENA, CA. 90249
 PHONE: (310) 354-0030
 FAX: (310) 523-5803

SKYLIGHT TYPE:

PYRAMID

SHEET NO:

5

DATE:

JUN 2004