

# OCTAGON

STRUCTURAL SILICONE JOINT

GLAZING

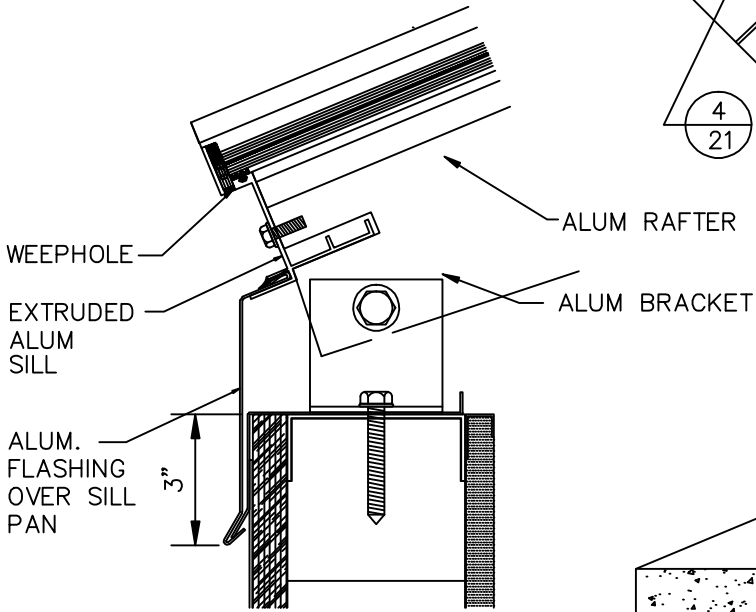
EXTRUDED ALUM. CROSSBAR

EXTRUDED ALUM. RAFTER

CROSSBAR DETAIL

SCALE: 3"=1'-0"

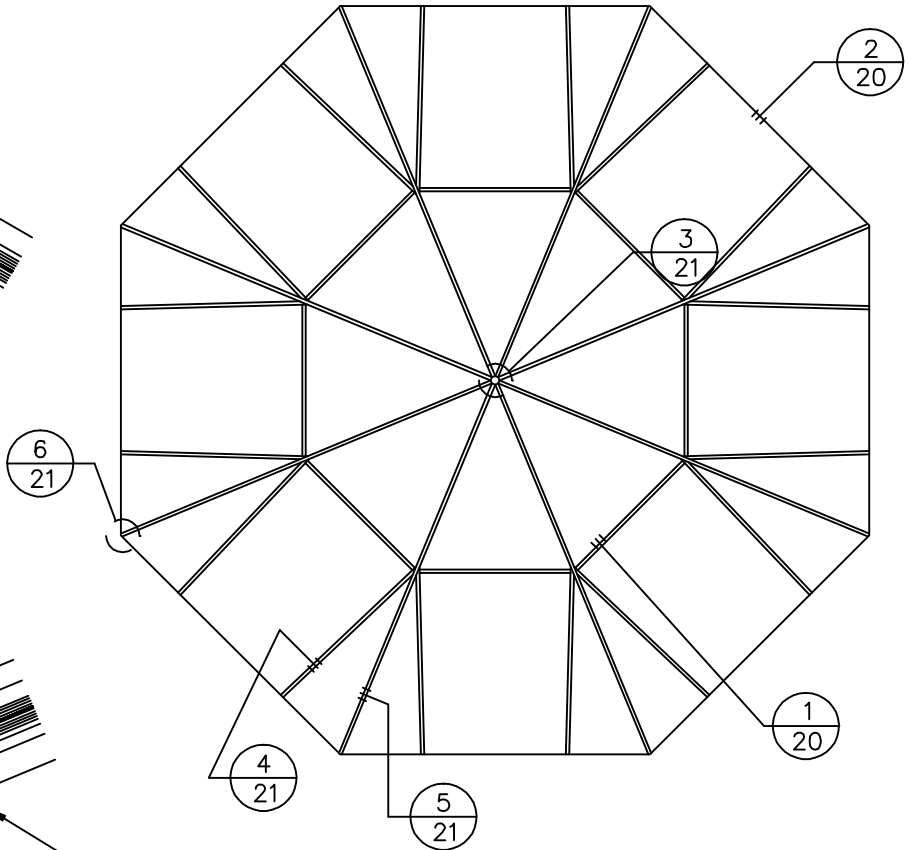
1



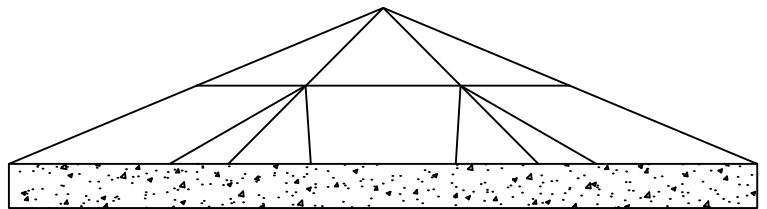
SILL DETAIL

SCALE: 3"=1'-0"

2



PLAN



ELEVATION

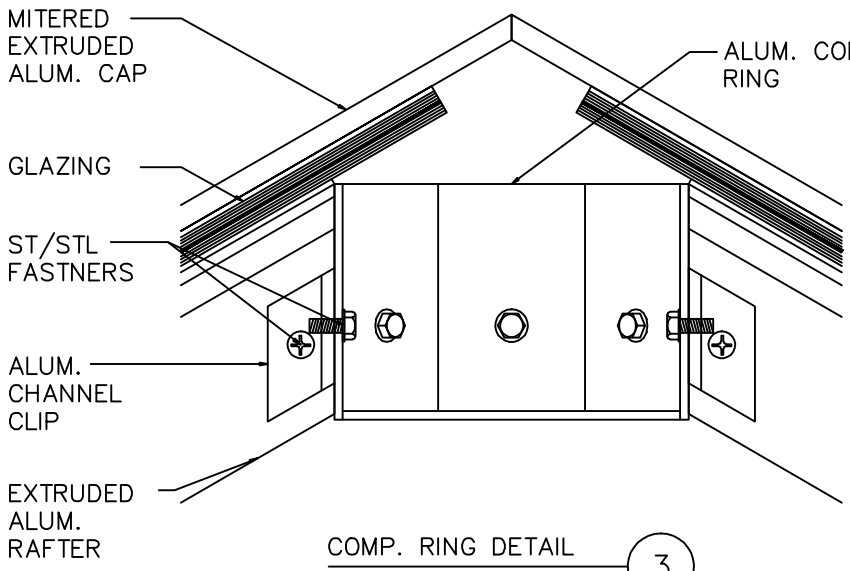


1715 W. 135th STREET  
GARDENA, CA. 90249  
PHONE: (310) 354-0030  
FAX: (310) 523-5803

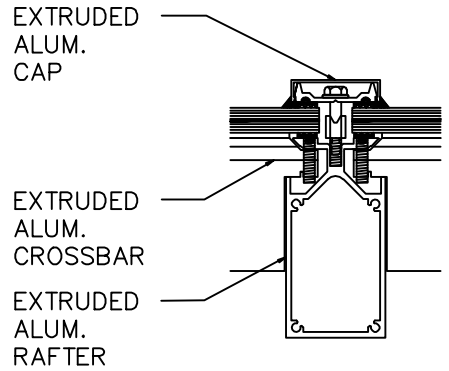
SKYLIGHT TYPE:  
OCTAGON

SHEET NO:  
20

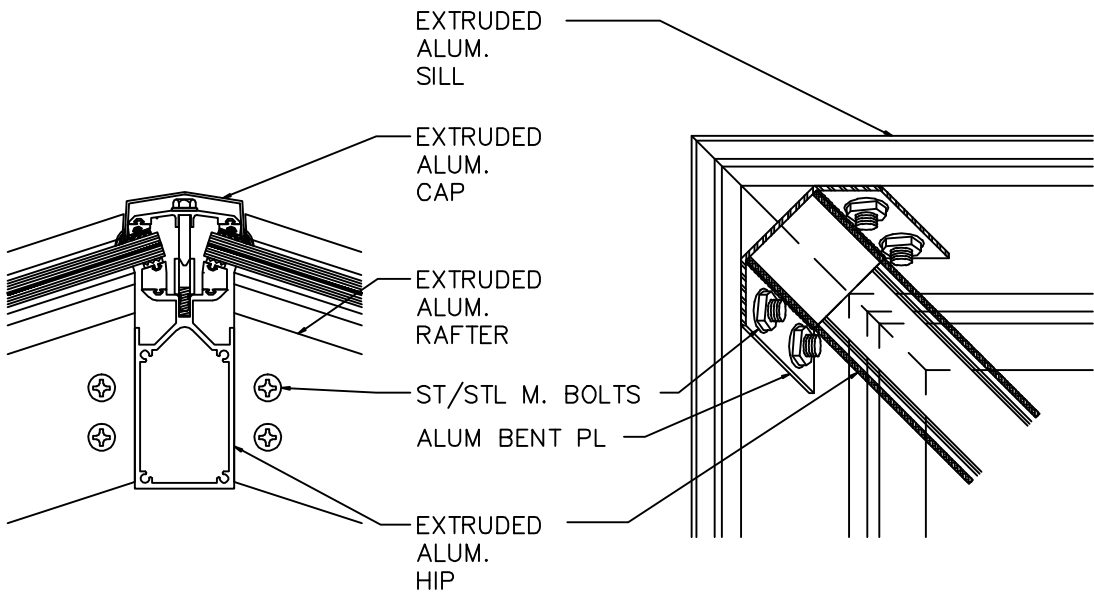
DATE:  
JUN 2004



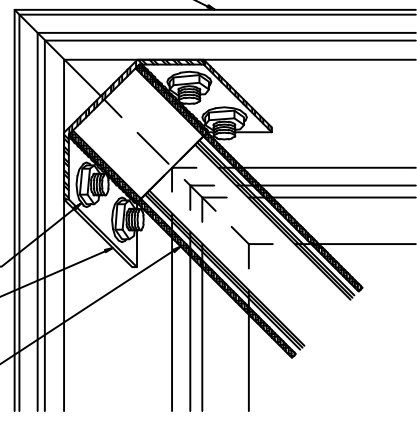
COMP. RING DETAIL 3  
SCALE: 3"=1'-0"



TYP RAFTER 4  
SCALE: 3"=1'-0"



HIP DETAIL 5  
SCALE: 3"=1'-0"



HIP PLAN @ CORNER 6  
SCALE: 3"=1'-0"

NOTE: GLASS AND EXTRUDED CAP NOT SHOWN FOR CLARITY



1715 W. 135th STREET  
GARDENA, CA. 90249  
PHONE: (310) 354-0030  
FAX: (310) 523-5803

SKYLIGHT TYPE:  
OCTAGON

SHEET NO:  
21

DATE:  
JUN 2004