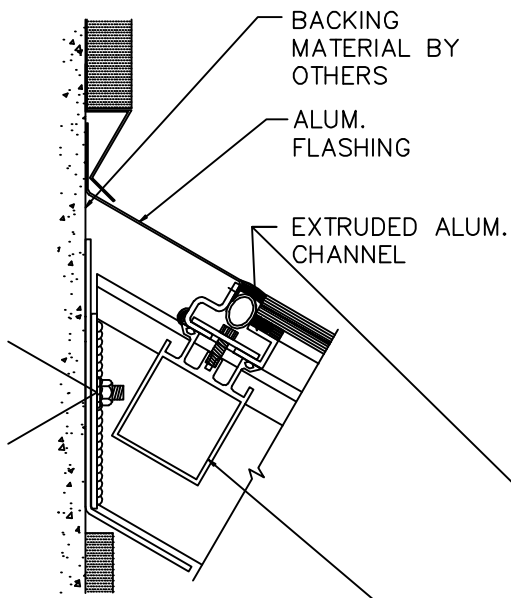
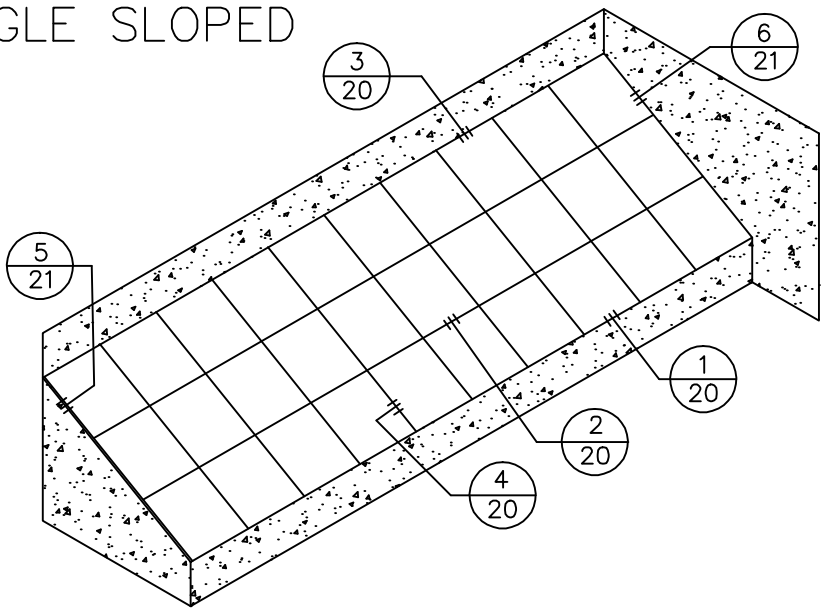


SINGLE SLOPED



HEAD DETAIL

SCALE: 3"=1'-0"

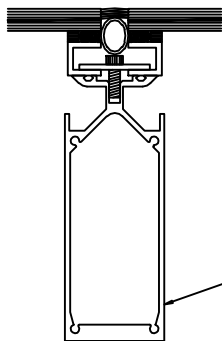


STRUCTURAL SILICONE JOINT
GLAZING

EXTRUDED ALUM. CROSSBAR

CROSSBAR DETAIL

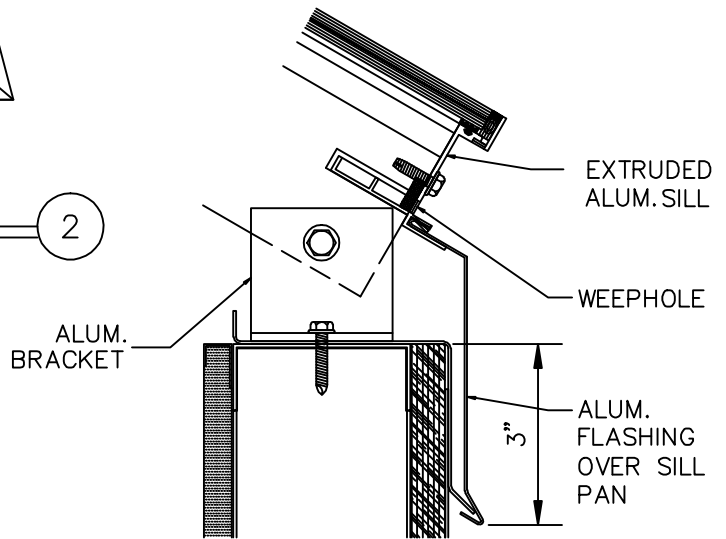
SCALE: 3"=1'-0"



TYP RAFTER

SCALE: 3"=1'-0"

EXTRUDED ALUM. RAFTER



SILL DETAIL

SCALE: 3"=1'-0"



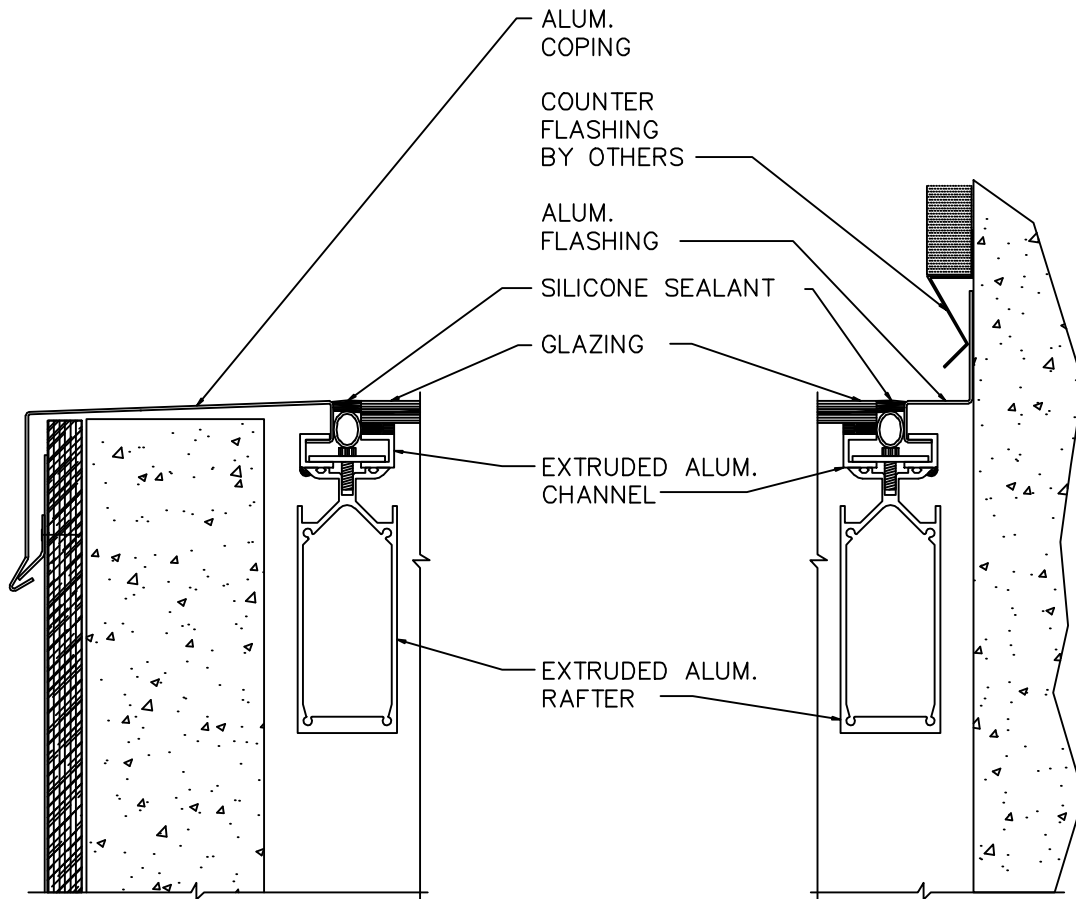
1715 W. 135th STREET
GARDENA, CA. 90249
PHONE: (310) 354-0030
FAX: (310) 523-5803

SKYLIGHT TYPE:
4 SIDED STRUC. GLAZED

SHEET NO:
22

DATE:
JUN 2004

SINGLE SLOPED



TYPICAL END RAFTER

5

SCALE: 3"=1'-0"

TYPICAL END RAFTER

6

SCALE: 3"=1'-0"



1715 W. 135th STREET
 GARDENA, CA. 90249
 PHONE: (310) 354-0030
 FAX: (310) 523-5803

SKYLIGHT TYPE:

4 SIDED STRUC. GLAZED

SHEET NO:

23

DATE:

JUN 2004